

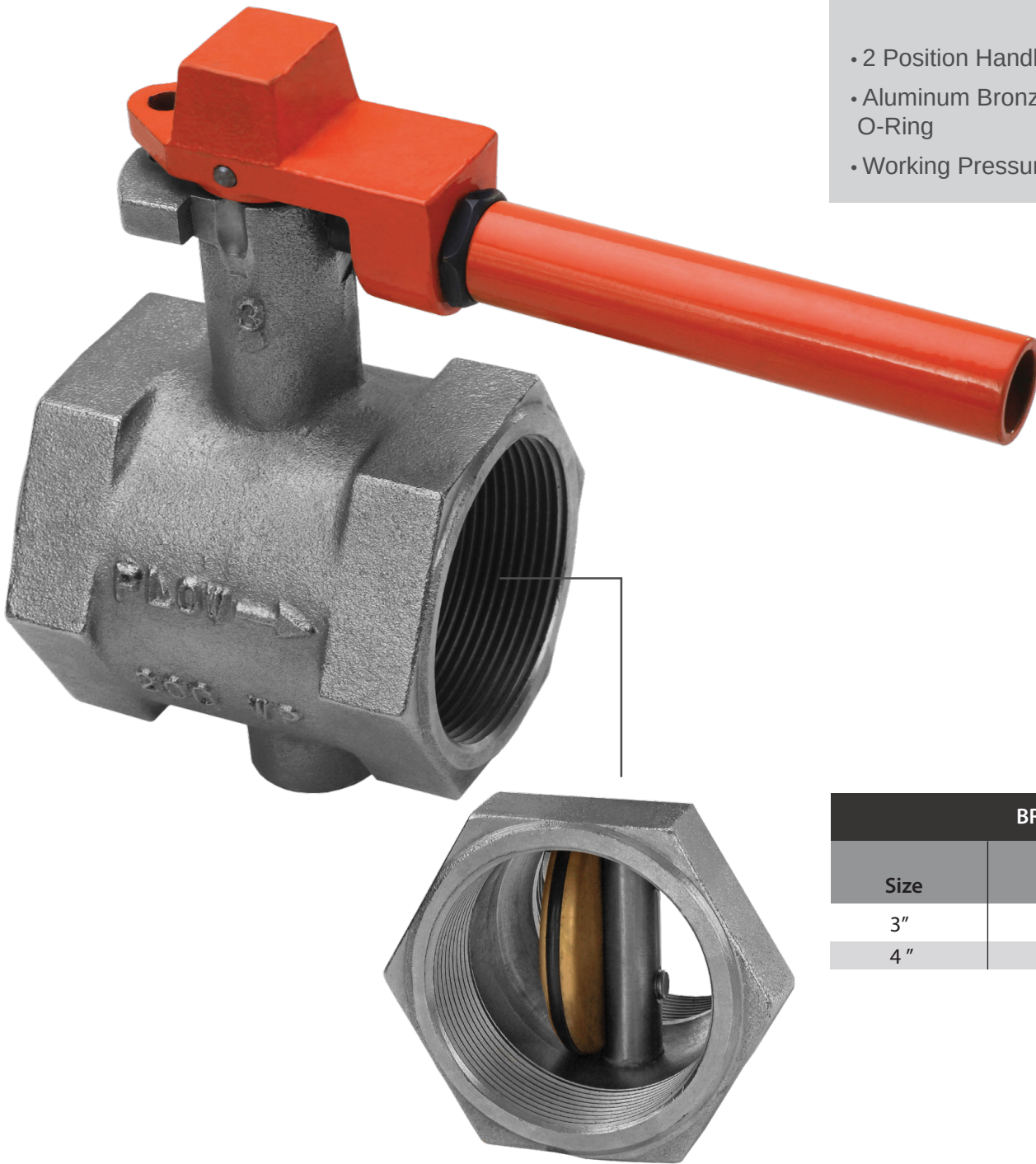


## VALVES

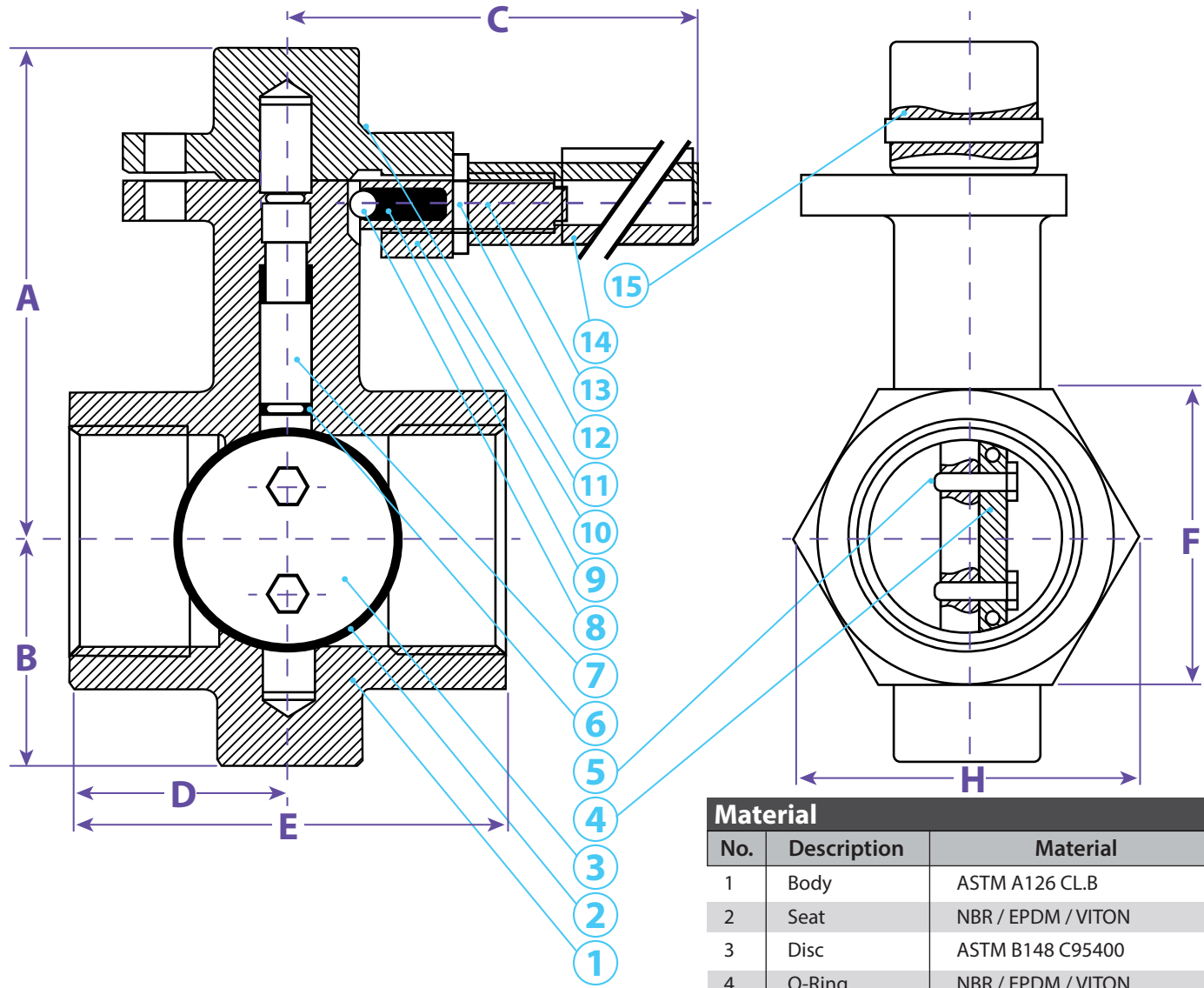
### SCREW END BUTTERFLY - DUCTILE IRON

#### FEATURES & APPLICATIONS:

- 2 Position Handle
- Aluminum Bronze Disc w/Buna N O-Ring
- Working Pressure:200 PSI



BRASS	
Size	Part #
3"	SV3
4"	SV4



Dimensions								
Size	A	B	C	D	E	F	H	Part #
3"	6.02	2.75	8	2.43	4.87	4.06	4.69	SV 3
4"	6.34	3.69	8	2.56	5.12	5.31	6.13	SV 4

Material		
No.	Description	Material
1	Body	ASTM A126 CL.B
2	Seat	NBR / EPDM / VITON
3	Disc	ASTM B148 C95400
4	O-Ring	NBR / EPDM / VITON
5	Bolts	ASTM A582 UNS41600
6	O-Ring	NBR / EPDM / VITON
7	Shaft	ASTM A582 UNS41600
8	Ball	Bear Steel
9	Spring	Spring Steel
10	Lever	ASTM A536 65-45-12
11	Name Plate	Brass
12	Lock Nut	Steel
13	Sleeve Joint	Steel
14	Opening Bar	Steel
15	Taper Pin	Steel

TITLE <b>SCREW END BUTTERFLY VALVE</b>	
<p><b>DISCLAIMER</b></p> <p><b>WOG:</b> Water, Oil &amp; Gas: This was an older, generic pressure rating call-out which has been largely replaced by CWP. In this designation, GAS<sup>o</sup> refers to any non-flammable, compressible fluid in a gaseous state. It does not imply a product's suitability or third-party approval for use with flammable gases. Similarly, in this designation, "Oil" does not imply a product's third-party approval for use with any petroleum products.</p>	<p>MATERIAL</p> <p><b>DUCTILE IRON</b></p>
<p><b>DRAWING NOT TO SCALE</b></p>	<p>PART # <b>SV.</b></p>